

063796, Lead-out connector TH-400

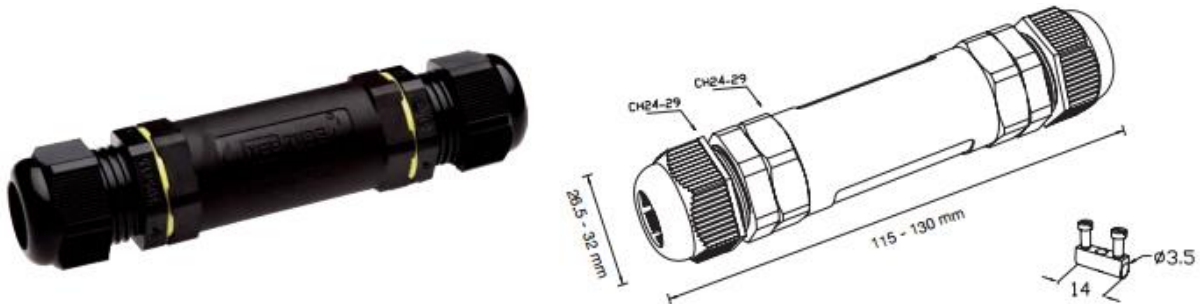


TH400 2P-3P



- EN Installation Instruction
- NL Installatie instructies
- FR Instructions d'installation
- DE Montage-Anweisungen
- SV Instruktioner för Installationen
- DK Installationsvejledning
- IT Istruzioni per l'installazione
- ES Instrucciones de instalación

In-line 2 Pole Screw - end barrier contact 7mm to 13.5mm, 4 mm max conductor size IP68 32A 2 cable entries, assembled.



SPECIFICATION

Cable Entries	2
Number of Poles	2
Terminal Type	Screw - end barrier contact
Body Material	PA66 / TPE
IP Rating	68
Max Conductor Size (Sq mm)	4
Max Current (A)	32
Max Voltage (V) (continu)	450
Minimum Temp Rating °C	-40
Max Temp Rating °C	125
Minimum Cable Diameter (mm)	7
Maximum Cable Diameter (mm)	13.5
Fixing System	Cable
Temperature "T" Rating	T85

063796, Lead-out connector TH-400



TH400 2P-3P

